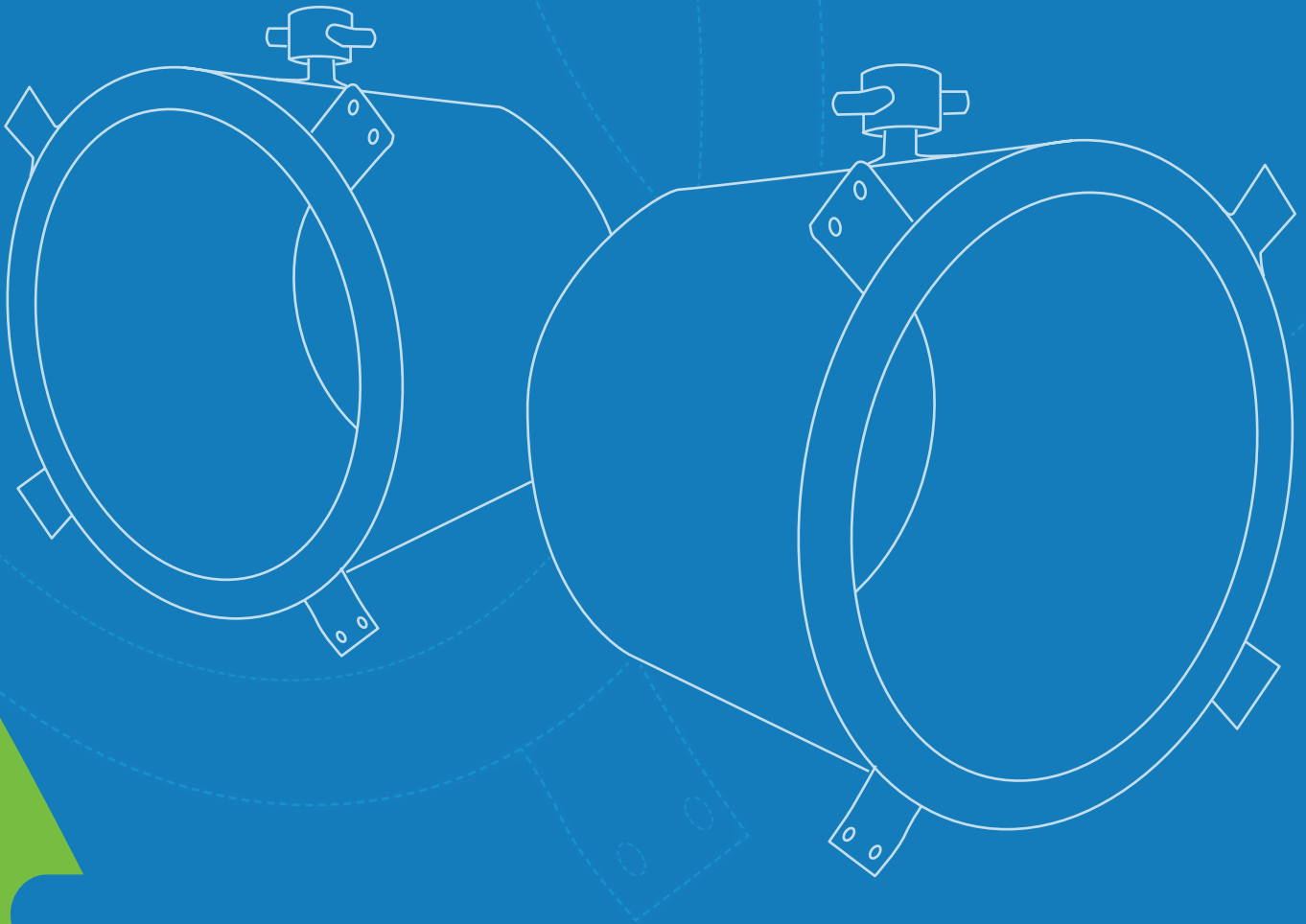




AQUAMONIX
Measure. Monitor. Master.

EMFLUX2030

IRRIGATION FLOWMETER



IRRIGATION
AUTOMATION



WATER
MEASUREMENT



REMOTE
MONITORING



CLOUD
BASED DATA

EMFLUX2030 Irrigation Flowmeter

Designed for replacement of older non-compliant metering systems such as Dethridge Wheels, Propellor Meters and ultrasonic meters to meet the new national irrigation metering requirements for water under AS4747. The **EMFLUX2030** is a high performance flowmeter for farm offtakes. This stainless steel bodied, electromagnetic flowmeter can be paired with either Solar or 240VAC electronics, including the I500 and M500 transmitters. The **EMFLUX2030** is also compatible with legacy I300 and M300 transmitters.



System accuracy

- Better than $\pm 2.5\%$
- Flow range 0.5ML/day – 450 ML/day

Features

- Operates on batteries with solar power recharge
- No obstruction in flow path, no moving parts
- Extremely low headloss
- Broad operating range
- Simple installation
- Tamper proof design
- Supplied with a 3 point calibration certificate, traceable to national standards
- Pit Mount – attached to headwall with Meter ID matching pipework – no headloss
- Insert/End Mount – Insert inside existing pipework – minimal headloss

System configuration

The **EMFLUX2030** series of meters comprise 2 main components, the Flow Tube and the Flow Transmitter.

The Flow tube installs into the pipework or pit and provides measurement of the velocity of the flowing water.

The Transmitter comprises the electronics and data logger unit and mounts remotely on a pole or wall and connects to flow tube via cable.

To conserve power the system samples the flow rate periodically on a sleep / wake basis.

The flow readings and totalisers update continuously and are displayed on the LCD screen

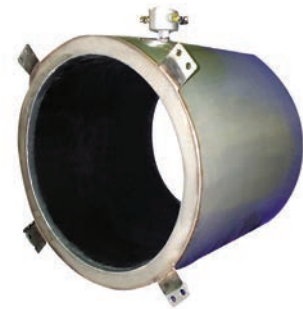
Live readings can be updated by simple button press on LCD screen.

Installation requirements

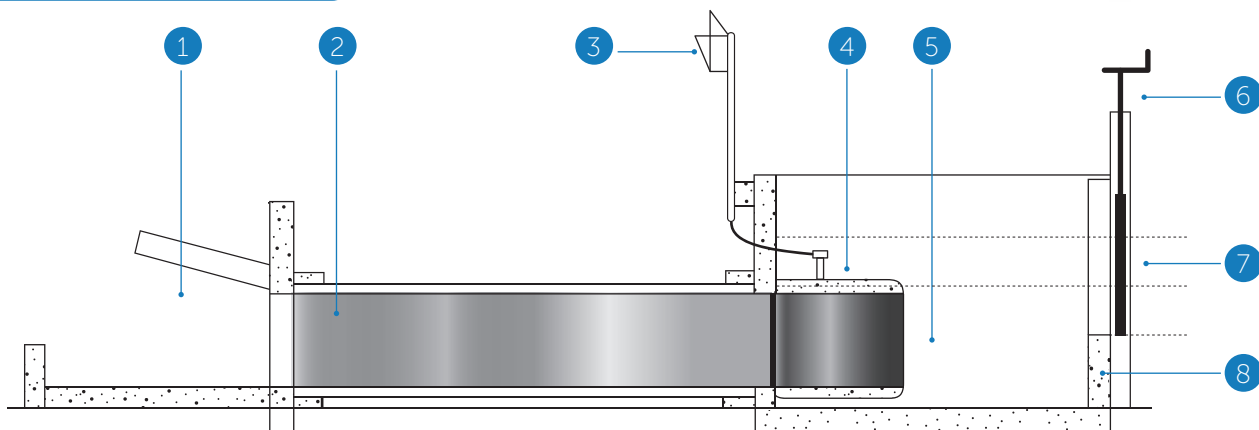
The **EMFLUX** irrigation flowmeter performs best with a short run of 5 diameters pipework upstream of the meter and pipework or open discharge at the downstream end. The meters must flow full pipe in all operating situations.

Service and support

Aquamonix, through its Service Division, offers a full suite of service products for the **EMFLUX** flowmeter range aimed at minimising downtime and cost, while maintaining confidence in the measurement.



System components



- | | | |
|--------------------------------------|---------------------------------|-----------------------|
| 1 Upstream entry Pit | 4 Mag Flowmeter Model 2030 | 7 Operating Head Loss |
| 2 Connecting Pipe - RCP | 5 Downstream exit Pit | 8 Downstream Sill |
| 3 Irriflow Solar Powered Transmitter | 6 Flow Control Gate or Penstock | |

EMFLUXI500 Flowmeter Transmitter

A no compromises, high accuracy, irrigation flowmeter. It complies with the Australian Standard AS/NZS 4747:2013 - Meters for Non-Urban Water Supply and is a fully pattern approved instrument from DN50 to DN1500. This transmitter meets the demanding requirements for accurate metering of irrigation supplies, but is equally at home in other water supply applications including urban water (recycled water, distribution network and revenue monitoring), mining and environmental monitoring.



Specifications

- AS4747 compliance
- Operates on remote 12VDC with solar recharge
- Operates on 24V fixed power supplies
- Tamper proof design



Applications

- Irrigation off-takes
- Basic control functions e.g. local off-take gates and valves and a variety of communications
- Surface Water or Groundwater Metering
- Gravity or Pumped Systems

NMI PATTERN APPROVED

- NMI 14/3/32
- The I500 Flowmeter Transmitter is pattern approved and certified by the National Measurement Institute.

Features

- Use the well established electromagnetic measurement method
- No moving parts or restriction of flow during measurement
- Enhanced diagnostic and alarm functions, completely configurable
- Removable SD card allowing easy upgrade of transmitter and logging
- Large multi-line backlit LCD display
- User configurable logging interval for flow data and diagnostic tables
- Optional 4-20mA output
- User configurable digital frequency and pulse outputs
- Full serial Modbus multidrop support
- 3x expansion slots allowing additional IO
- Serial support for modems, RTUs and PLCs
- Ability to calibrate and operate flow tubes up to 1500mm in diameter
- Capacitance style keypad with no moving parts
- Cable entry via IP68 rated glands
- Multi-level password protection
- Designed for outdoor environments



EMFLUXI500 Flowmeter Transmitter

How to order

Simply send us an email at sales@aquamonix.com.au contact your local distributor or phone 1300 797 246.

About Aquamonix

Aquamonix provides innovative products and services to assist businesses and communities in monitoring critical water resources, managing environmental compliance and mastering remote infrastructure. We are a major supplier of flowmeters, water quality sensors, remote telemetry systems and control solutions for the Australian irrigation market. We are the only Australian manufacturer of full bore flowmeters and have an installed base of more than 40,000 sites and over 40 years of experience in the industry.



Licence ID: 15075

Contact Aquamonix | aquamonix.com.au | **T: 1300 797 246**

New South Wales
268 Milperra Road
Milperra NSW 2214
T: +61 2 8710 4040

Victoria
T: 1300 797 346

Western Australia
92 Furniss Road
Landsdale WA 6065
T: +61 8 9477 1188

Queensland
29 Lathe Street
Virginia QLD 4014
T: +61 7 3608 7889